

# Depth Camera

**Affordable high-end sensor for every robot**



## YDLIDAR OS30A

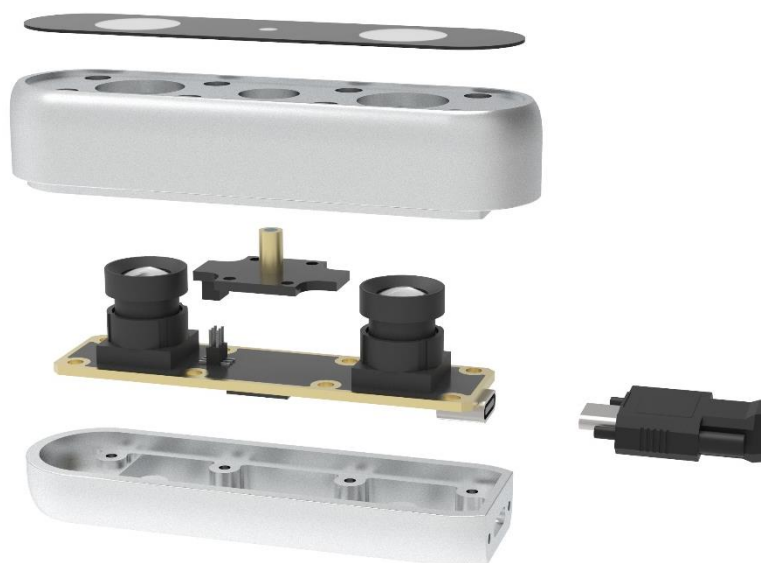
### YDLIDAR OS30A 3D Depth Camera

The camera adopts binocular structured light 3D imaging technology to obtain depth images and realize the function of depth information modeling. It is equipped with a dedicated depth computing chip and is specially optimized for robot obstacle avoidance.

The camera is compact in size, easy to integrate, with USB2.0 standard output interface, providing users with a high degree of flexibility. It can be adapted to complex environments such as all-black environment, indoors with strong light or weak light, backlight or smooth light, even semi-outdoors, which has a wide range of applications.

# Concentrated 3D module

No more | No less



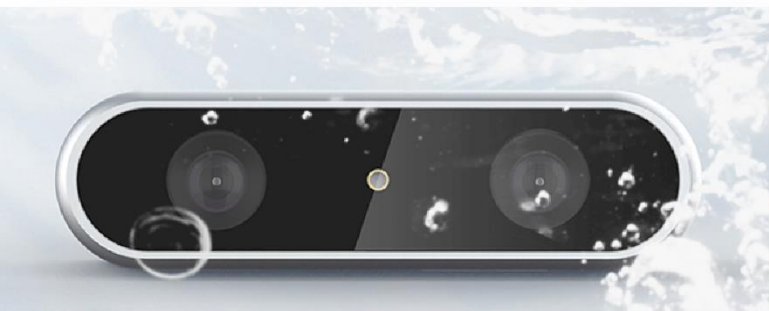
Metal case

## HDR

HDR



Anti-shock



## Special waterproof design

No fear of harsh environment

## Glass hybrid lens

High and low temperature resistant



## Integrated design, ultra-low power consumption

Reduce the burden on back-end systems



Make robots serve people better

## Product Specs

Items	Parameters	Value	Unit	Comments
Structure	Length	90	mm	
	Width	25.5	mm	
	Height	25	mm	
	Interface	USB2.0	/	Type-c with screw lock
	Weight	96	g	
Performance	Ranging distance	20-250	cm	
	Accuracy	<1.5	cm	At 1m
	Resolution 1	1280*920	Pixel	Depth map
	Resolution 2	640*640	Pixel	Depth map
	HFOV	78±3	Deg	
	VFOV	60±3	Deg	
	Power	<1.5	W	
Optical	Baseline	45	mm	
Active light source	Wavelength	830-850	nm	
	Power	<1.5	W	
Obstacle avoidance performance	Obstacle avoidance range	15-250	cm	
IP Level	IP level	IP65	/	With customized wire
ESD	Contact	+/-8	KV	
	Air	+/-12	KV	
Working environment	Working temperature	-10~50	°C	
	Working humidity	0~80	RH	

## Test and certification

	Items	Status
OS30A reliability test	High temp storage test	√
	Low temp storage test	√
	High temp/Humidity storage test	√
	Thermal shock test	√
	Vibration test	√
	Drop test	√
International certification	IP65	√
	IEC60825	√
	FCC	√
	CE	√

## Applications

Filed	Application
Robot	Obstacle avoidance, visual security system
Security	Surveillance, people counting, face tracking
Facial recognition	Face-scan payment, face-scan authentication, face-scan access control, face-scan attendance
Games	Somatosensory game, gesture interaction
3D scanning	Indoors scanning modeling
Industry	Industrial element scanning and picking

## Support various platforms

- Windows
- X86 Ubuntu 18.04 and above
- RK3399 Linux
- TX2 Linux
- Android



## Multi-language development



Intelligent obstacle avoidance



Smart home appliance



Intelligent people counting



Industrial robot arm

We provide SDK for Windows, Linux, Android platform. Please contact FAE to get the latest SDK.



**Shenzhen EAI Technology Co., Ltd.**

Add: 16th Floor, Block 7A, Shenzhen International innovation Valley, Nanshan District, Shenzhen, Guangdong, China

Support@ydlidar.com



+86-0755-86953040

**EAI | YDLIDAR** SENSING CHANGES LIFE